

**REACH**

ELECTRIC HEATING, SENSING & CONTROLS

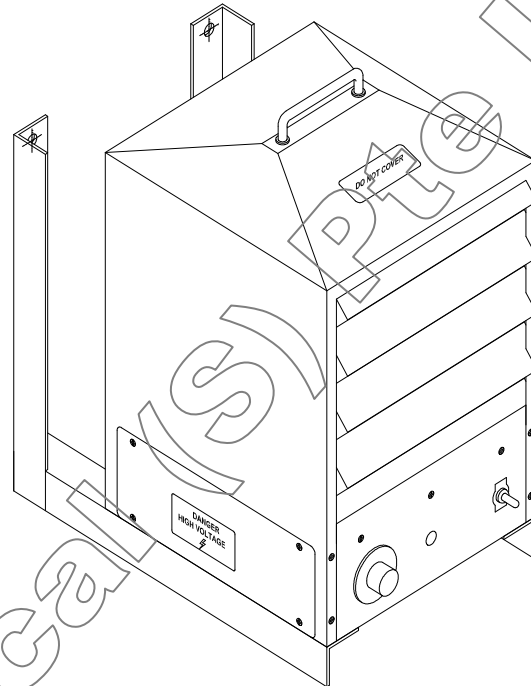
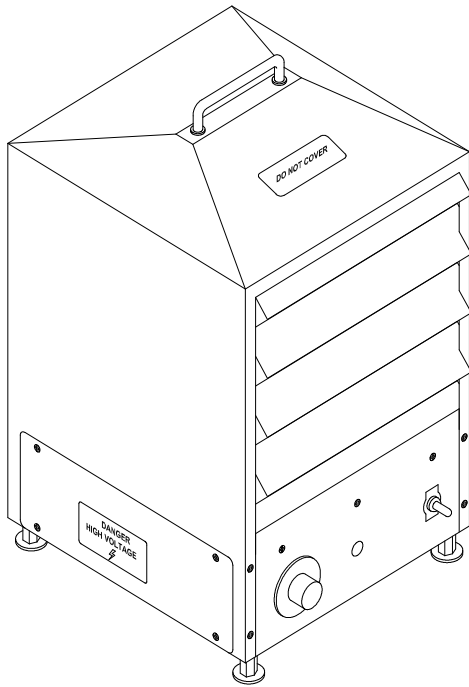
**HEATING PRODUCTS**



Cert. No.: SG02/00221

**GW**

**Marine Class Approved Blower Heater  
Type RB Axial Fan Heater**



PORTABLE

WALL MOUNTED

**ABS Product Design Assessment (PDA)  
Certificate No: 10-SG653381-PDA  
(17 December 2010)**



**RS\* Approval Certificate No: 09.00001.270  
(\* RUSSIAN MARITIME REGISTER OF SHIPPING)  
(15 April 2009)**



REACH ELECTRICAL (S) PTE LTD

51 Ubi Ave 1, #03-05, Paya Ubi Industrial Park, Singapore 408933

Tel: (65) 6296 6860 Fax: (65) 6298 1443

Email: [reach@singnet.com.sg](mailto:reach@singnet.com.sg) Website: <http://www.reachelectrical.com>

Company's Reg. No. : 199004352W G.S.T Reg. No . M2-0095215-4

## Description:

The RB Axial Fan Heater (IP 22) is a popular choice of many satisfied clients for their maritime vessels. Its advantages are many, like:

- ✓ very low initial cost per installed kilowatt;
- ✓ minimum draught;
- ✓ low noise levels;
- ✓ robust, hence excellently resistant to physical impact and vibrations;

All these qualities make the RB Axial Fan Heater (IP 22) fan/blower heater the ideal equipment for marine applications such as:

- ✓ control room, engine room, cabin comfort heating in maritime vessels,
- ✓ a portable heater, if the need arises.

and also:

- ✓ buildings, stables, storage rooms, etc;
- ✓ process heating & drying applications;
- ✓ as an anti-condensation heater for moisture sensitive storage.

## **Facts:**

The RB Axial Fan Heater (IP 22) is robust in construction, simple to operate and have the following features:

- Finned air heating elements for rapid heat dissipation available at the following ratings:
  - ⇒ 110V / 220V / 230V / 240V for single-phase connection (50Hz / 60Hz) – 500W to 3000W.
  - ⇒ 380V / 415V / 440V / 480V for 3-phase connection (50Hz / 60Hz) – 3KW to 10KW.
- Whilst normally use with an ON/OFF switch, these units lend themselves to connection through a thermostat.
- Dimensions:
  - ⇒ Width: 330 mm
  - ⇒ Height: 531 mm (measured to top of carrying handle)
  - ⇒ Depth: 350 mm

**Wall mounting are available separately in pairs.**

**REACH ELECTRICAL (S) PTE LTD**

51 Ubi Ave 1, #03-05, Paya Ubi Industrial Park, Singapore 408933

Tel: (65) 6296 6860 Fax: (65) 6298 1443

Email: [reach@singnet.com.sg](mailto:reach@singnet.com.sg) Website: <http://www.reachelectrical.com>

Company's Reg. No. : 199004352W G.S.T Reg. No . M2-0095215-4