



IC-915 Temperature Controllers & Sensors (For Heating/Cooling & Humidity)

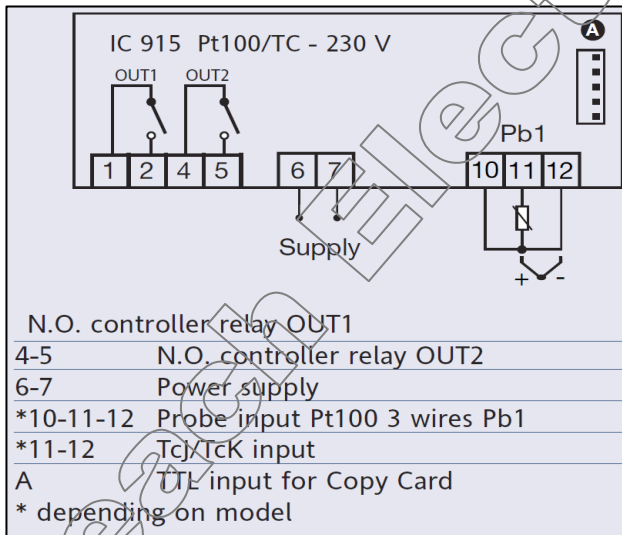
TECHNICAL DATA

MODEL	IC915LX/H TC J/K PT100	IC915LX/R H/D %RH
Front Protection	IP65	
Casing	resin plastic casing PC+ABS UL94 V-0, polycarbonate front, thermoplastic resin buttons	
Dimensions:	front panel 74x32mm, depth 59mm	
Mounting:	Panel mount (with template 71x29mm)	
Operating temperature	-5°C...55°C	
Storage temperature	-30°C...0.85°C	
Usage ambient humidity	10..0.90% RH (non-condensing)	
Display range	Pt100: -150...650°C / TcJ: -40...750°C / TcK: -40...1350°C on display 3 1/2 digits plus sign	-99...100 (ndt=n), -99,9...100,0 (ndt=y), -999...1000 (ndt=int) on display 3 1/2 digits plus sign
Analogue input	PT100 Ohm/TC 'J'/TC 'K'	1 V-I (0-1V, 0-5V, 0-10V, 0-20...mA, 4...20mA)
Serial	TTL for Copy Card connection	
Digital outputs: (configurable)	OUT1: 1 SPST relay 8(3)A ½HP 250V~ OUT2: 1 SPST relay 8(3)A ½HP 250V~	1 SPDT relay 8(3)A ½HP 250V~ 1 SPST relay 8(3)A ½HP 250V~
Measurement range	-150 to 1350	-999 to 1000
Power consumption:	3 VA max (mod. 230V)	
Power supply:	220/230V ±10% 50/60Hz	

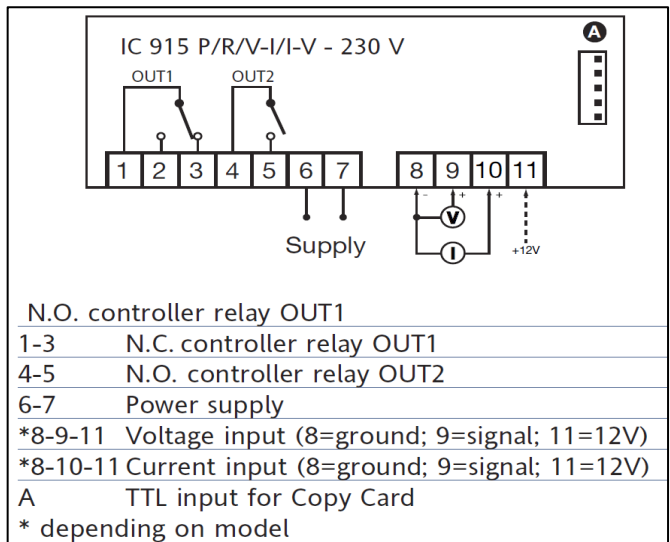


Controllers

Part No.	Supply Voltage	Application
IC915LX/H TC J/K PT100	230VAC	Heating/Cooling
IC915LX/R H/D %RH	230VAC	Humidity



**IC915LX/H TC J/K PT100
Connection Diagram**



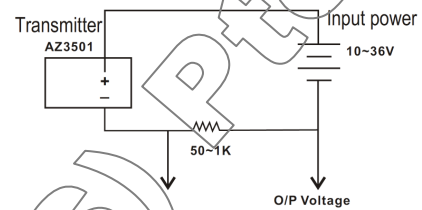
**IC915LX/R H/D %RH
Connection Diagram**

Humidity Transmitter

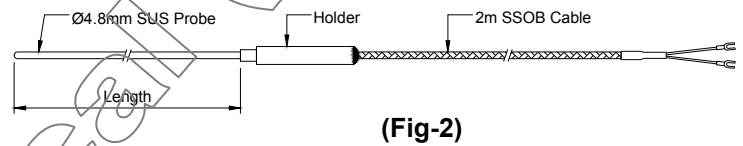
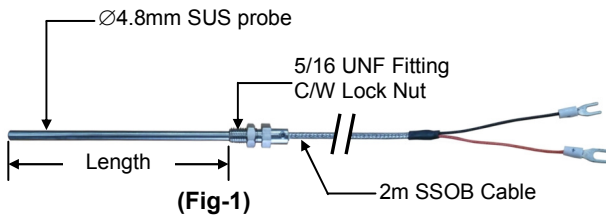
- ❖ Measuring/Transmitting temperature & humidity data via current
- ❖ Wall mountable, easy to setup
- ❖ Connector Configuration
- ❖ Provide power from simple VDC
- ❖ Transmits temperature & RH to any controller to provide feedback on user-defined setting



Model	3501	3531
Operating Temperature	0~65°C	
Operating RH%	5~95%RH	
RH% Range	0~100%RH	
Supply Voltage	10~35VDC	
Output	4~20mA	
Output Load	50~1k Ohm	
Extension Cable	No	Yes
Probe Size	Ø12mmx103mm	
Dimension	103mmx73mmx31mm	
Weight	70g	



Temperature Sensors



Part No.	Sensor Type	Sensor Size	Drawing	Temp Range	Cable Insulation	Cable Length
PTC105050	PT100Ω (3 Wires)	Ø4.8X50mm	Fig-1	-50~250°C	SSOB	2.0m
PTC105100		Ø4.8X100mm		-50~250°C		2.0m
PTC105150		Ø4.8X150mm		-50~250°C		2.0m
HTC105J050	TC 'J'	Ø4.8X50mm	Fig-1	-50~250°C	SSOB	2.0m
HTC105J100		Ø4.8X100mm		-50~250°C		2.0m
HTC105J150		Ø4.8X150mm		-50~250°C		2.0m
HTC105K050	TC 'K'	Ø4.8X50mm	Fig-1	-50~250°C	SSOB	2.0m
HTC105K100		Ø4.8X100mm		-50~250°C		2.0m
HTC105K150		Ø4.8X150mm		-50~250°C		2.0m
PTC108050	PT100Ω (3 Wires)	Ø4.8X50mm	Fig-2	-50~600°C	SSOB	2.0m
PTC108100		Ø4.8X100mm		-50~600°C		2.0m
PTC108150		Ø4.8X150mm		-50~600°C		2.0m
HTC108J050	TC 'J'	Ø4.8X50mm	Fig-2	-50~600°C	SSOB	2.0m
HTC108J100		Ø4.8X100mm		-50~600°C		2.0m
HTC108J150		Ø4.8X150mm		-50~600°C		2.0m
HTC108K050	TC 'K'	Ø4.8X50mm	Fig-2	-50~600°C	SSOB	2.0m
HTC108K100		Ø4.8X100mm		-50~600°C		2.0m
HTC108K150		Ø4.8X150mm		-50~600°C		2.0m
Optional Compression Fitting for Fig-2 Sensor				1/4" PT	-	-
				3/8" PT	-	-
				1/2" PT	-	-

**Other designs of temperature sensors are also available. Please contact with our sales personnel.



IDPLUS-Temperature Controllers & Sensors (For Freezer & Chiller)

TECHNICAL DATA

Front panel:	IP65	
Dimensions:	front panel 74x32mm, depth 59mm	
Mounting:	panel (with template 71x29mm)	
Power supply:	12Va/c ±10% 50/60Hz 230V~ ±10% 50/60Hz	
Power consumption:	3W max.	
Analogue inputs:	1 PTC/NTC/PT1000 (IDPlus 902/961) or 2 PTC/NTC/PT1000 (IDPlus 971/974)	
Configurable inputs:	1 digital or analogue (PTC/NTC/PT1000) (Factory Default: NTC)	
Digital input:	1 configurable digital input on TTL (IDPlus 971/974/978)	
Digital outputs:	IDPlus902	1 SPDT ½HP 8(4)A 250V~
	IDPlus961	1 SPST 2HP 12(12)A 250V~
	IDPlus974	1 SPDT ½HP 8(4)A 250V~ 1 SPST 2HP 12(12)A 250V~ 1 SPST 5A 250V~
	IDPlus978	1 SPDT N.O 8(4)A N.C 6(3)A 250V~ 1 SPST 1½HP 240V~ 1 SPST 5(2)A 250V~ 1 SPST 5(2)A 250V~
Display / icons:	3 digits + sign / 8 colour icons	
Connections:	TTL port for connection to Copy Card, to USB Unicard or to TelevisSystem monitoring device/ModBus	
Display range:	<ul style="list-style-type: none"> • NTC probe: -50.0...110.0°C • PTC probe: -55.0...140.0°C • PT1000 probe: -55.0...150.0°C 	

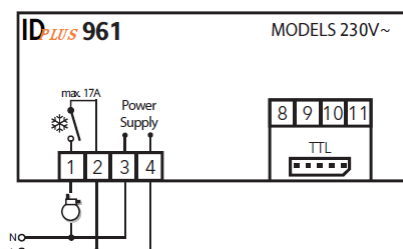
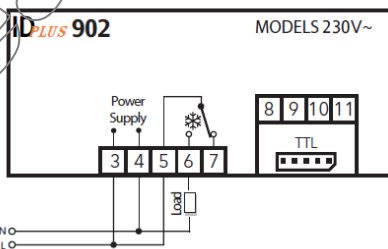
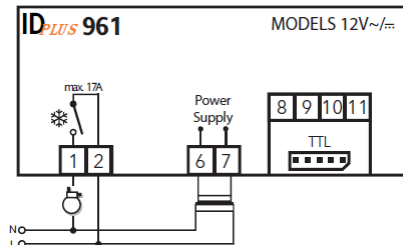
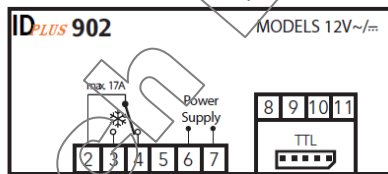


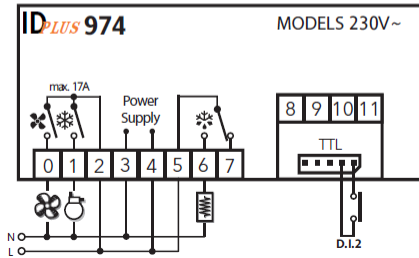
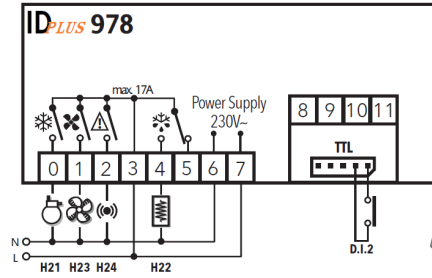
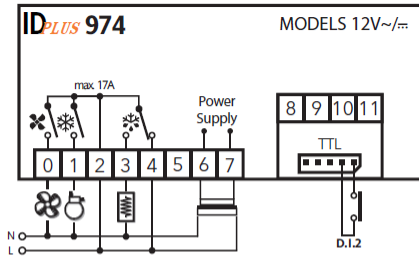
Transformer 230V/12V 3VA

Controllers

Part No.	Model	Supply Voltage	Application
IDP11D03E0000	IDPlus 902	12VAC	Heating/Cooling
IDP11D07E0000		230VAC	Heating/Cooling
IDP17D03E0000	IDPlus 961	12VAC	Heating/Cooling
IDP17D07E0000		230VAC	Heating/Cooling
IDP2ED03E0000	IDPlus 974	12VAC	Cooling
IDP2EDB7E0000		230VAC	Cooling
IDP24DB7E0000	IDPlus 978	230VAC	Cooling

TF111111 – Transformer 230V/12V 3VA





Temperature Sensors



PTC/NTC Sensor

Part No.	Sensor Type	Sensor Size	Temp Range	Cable Insulation	Cable Length	Cable Color
SN8S0A1500	NTC 10K	Ø6X40mm	-50~120°C	Silicon	1.5m	Blue
SN8S0A3000	NTC 10K	Ø6X40mm	-50~120°C	Rubber	3.0m	Blue
SN7S0A1500	PTC 1K	Ø6X40mm	-50~120°C	Silicon	1.5m	Grey
SN7SOA3000	PTC 1K	Ø6X40mm	-50~120°C	Rubber	3.0m	Grey
SN8POA1500	NTC 10K	Ø6X40mm	-50~110°C	PVC/PVC	1.5m	Grey
SN8POA3000	NTC 10K	Ø6X40mm	-50~110°C		3.0m	Grey
SN7POA1500	PTC 1K	Ø6X40mm	-50~110°C	PVC/PVC	1.5m	Black
SN7POA3000	PTC 1K	Ø6X40mm	-50~110°C		3.0m	Black

REACH ELECTRICAL (S) PTE LTD